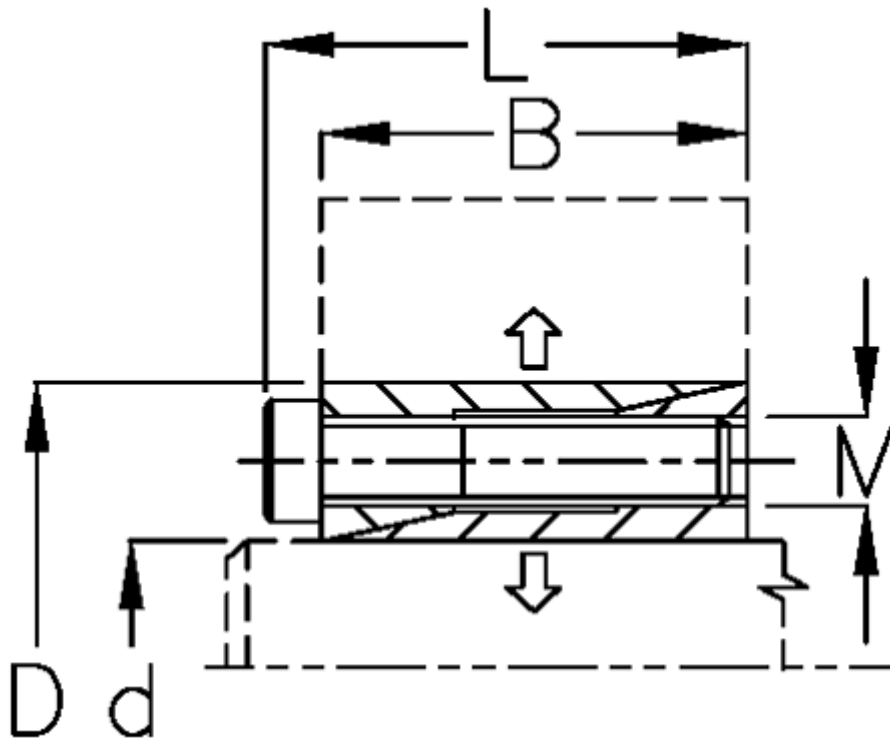


Article number: 435700045

Description: Rota-fix shaft-hub connection K 45x75

Note: Self centering. Medium torque

## Measures



B mm	= 36
d mm	= 45.00
D mm	= 75
Fit tolerance	= Aksel h8, Nav H8
F kN torque	= 55.0
L mm	= 44.0
M mm	= M8
P N/mm <sup>2</sup> surface pressure on shaft/hub	= 90

Surface roughness	= R? ? 3.2 $\mu$ m
T N m torque	= 1300
Ts N m bolt tightening torque	= 40.0